

B: Required space at bottom

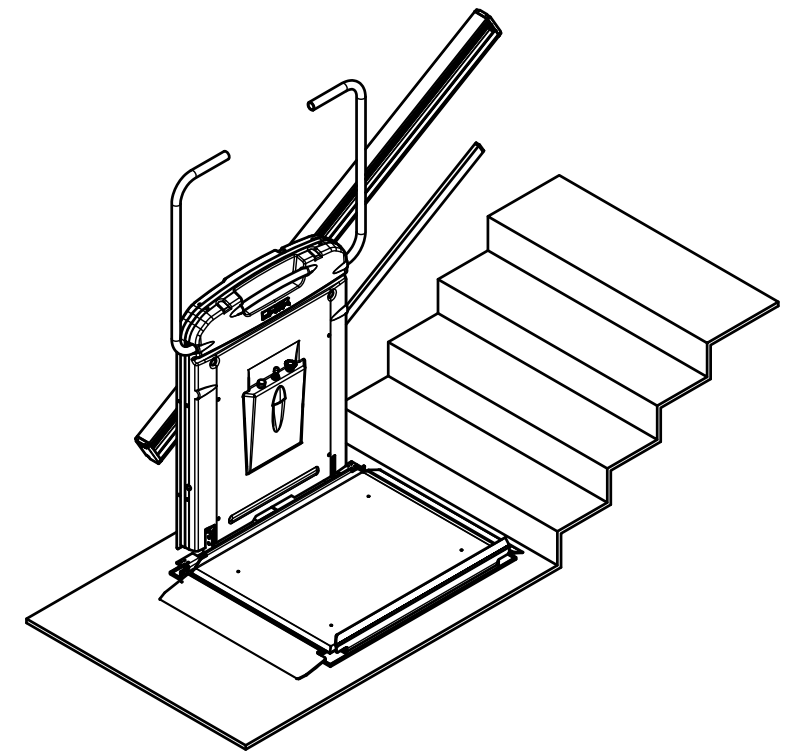
A: Angle	950x800	1000x800	1200x800	1300x800
10	1235	1285	1485	1585
15	1235	1285	1485	1585
20	1235	1285	1485	1585
25	1235	1285	1485	1585
30	1235	1285	1485	1585
35	1270	1320	1520	1620
40	1305	1355	1555	1655
45	1335	1385	1585	1685

C: Headroom space required

A: Angle	950x800	1000x800	1200x800	1300x800
10	1530	1540	1550	1560
15	1580	1590	1610	1620
20	1620	1640	1670	1690
25	1670	1690	1730	1760
30	1730	1750	1800	1830
35	1790	1820	1880	1910
40	1900	1930	2010	2050
45	2030	2070	2160	2210

*	950x	1000x	1200x	1300x
D	1205	1255	1455	1555
E	1020	1070	1270	1370
*	x900	x800	x750	x700
F	2030	1930	1880	1830

*	Min	Max
K	10	175
L	10	175

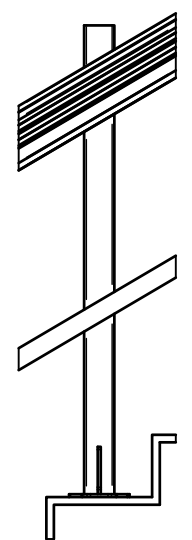
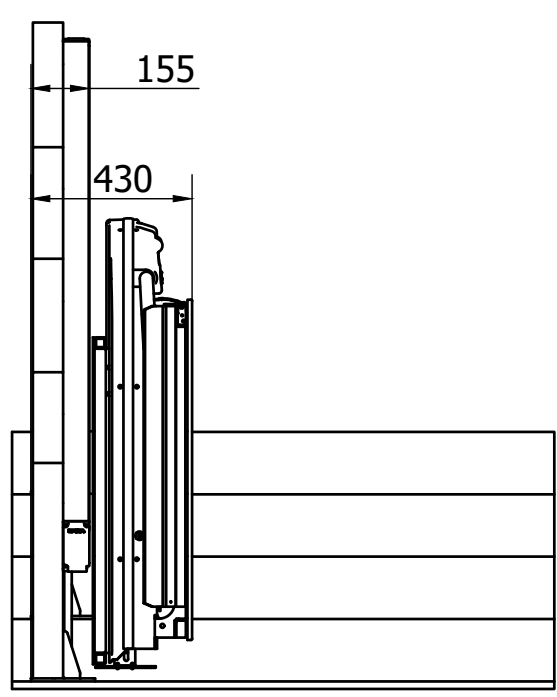
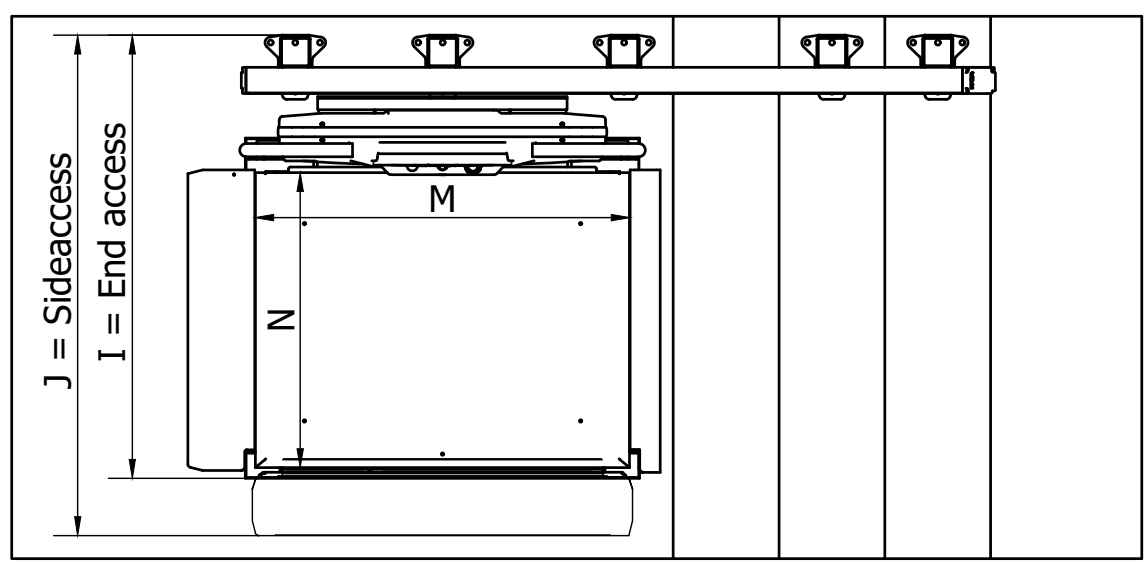
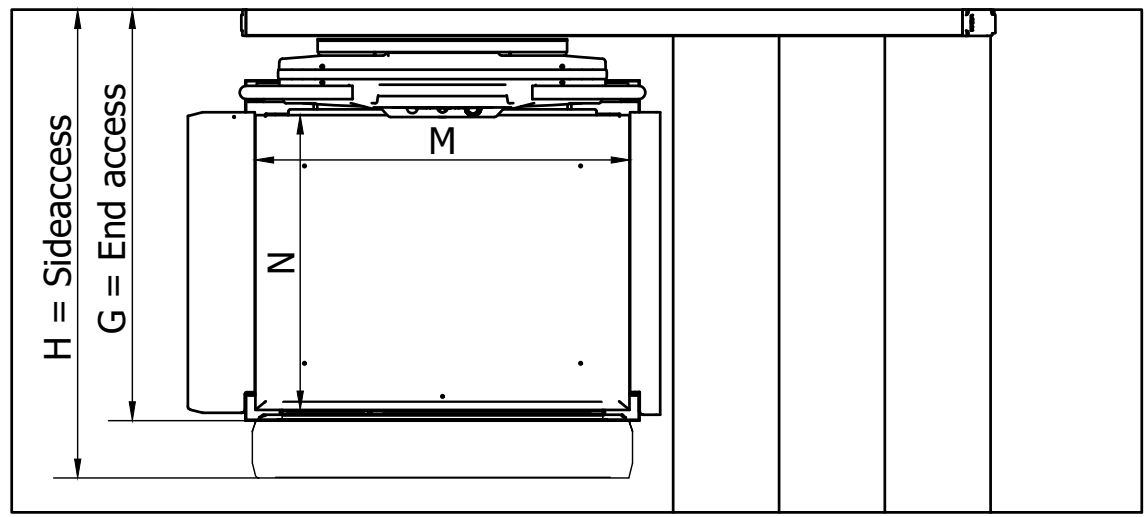


Lift Specification:

Stair Angle:	2° - 45°	Stops:	2
Load:	300Kg.	Motor:	1,1kw
Drive:	Rack and Pinion	Power:	240V 1ph 50Hz 10A
Speed:	0,14m/sec.	Colour:	RAL 7035 as standard
Travel:	subject to survey		(alternative RAL colours available)

CAMA Aps. ELLEHAMMERVEJ 6, 9900 FREDERIKSHAVN.
 Telefon. +45 98 43 01 22 - Telefax. +45 98 42 08 62 - E-mail: info@cama.dk - Internet: http://www.cama.dk

TITLE: Handi Lift EA9 - Straight platformlift (EA9HS/EA9BHS (Raise/Lower))	DRAWN BY: ABV
DRAWING NO.: HL9-002-A	SCALE: 1:20 (A3)
SHEET: 1/2	DATE: 22-11-2023

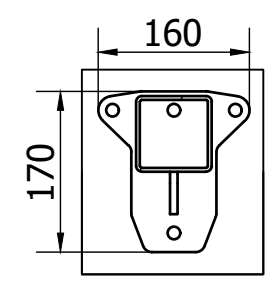


Stanchion mounted rail

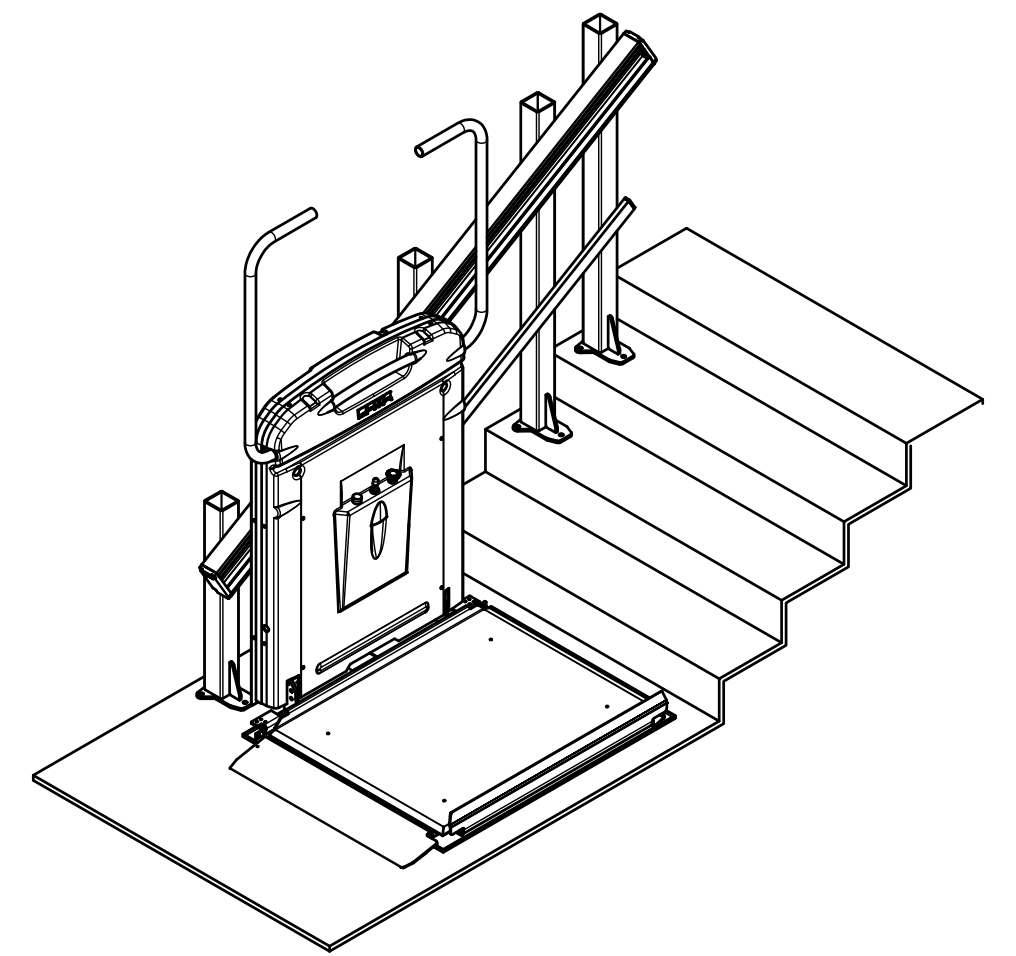
	3	2	1	
*	x900	x800	x750	x700
G	1195	1095	1045	995
H	1345	1245	1195	1145
I	1280	1180	1130	1080
J	1430	1330	1280	1230

M	1300	1200	1000	950	
N	900	800	750	700	650

Typical stanchion



Size: 80x80mm.
Thickness: 4,5mm.
Sole plate: 8mm.



CAMA Aps. ELLEHAMMERVEJ 6, 9900 FREDERIKSHAVN.
Telefon. +45 98 43 01 22 - Telefax. +45 98 42 08 62 - E-mail: info@cama.dk - Internet: http://www.cama.dk

TITLE: Handi Lift EA9 - Straight platformlift (EA9HS/EA9BHS (Raise/Lower))	DRAWN BY: ABV
DRAWING NO.: HL9-002-A	SCALE: 1:20 (A3)
SHEET: 2/2	DATE: 22-11-2023