

B: Required space at bottom

A: Angle	950x800	1000x800	1200x800	1300x800
10	1660	1710	1910	2010
15	1595	1645	1845	1945
20	1560	1610	1810	1910
25	1545	1595	1795	1895
30	1530	1580	1780	1880
35	1520	1570	1770	1870
40	1515	1565	1765	1865
45	1510	1560	1760	1860

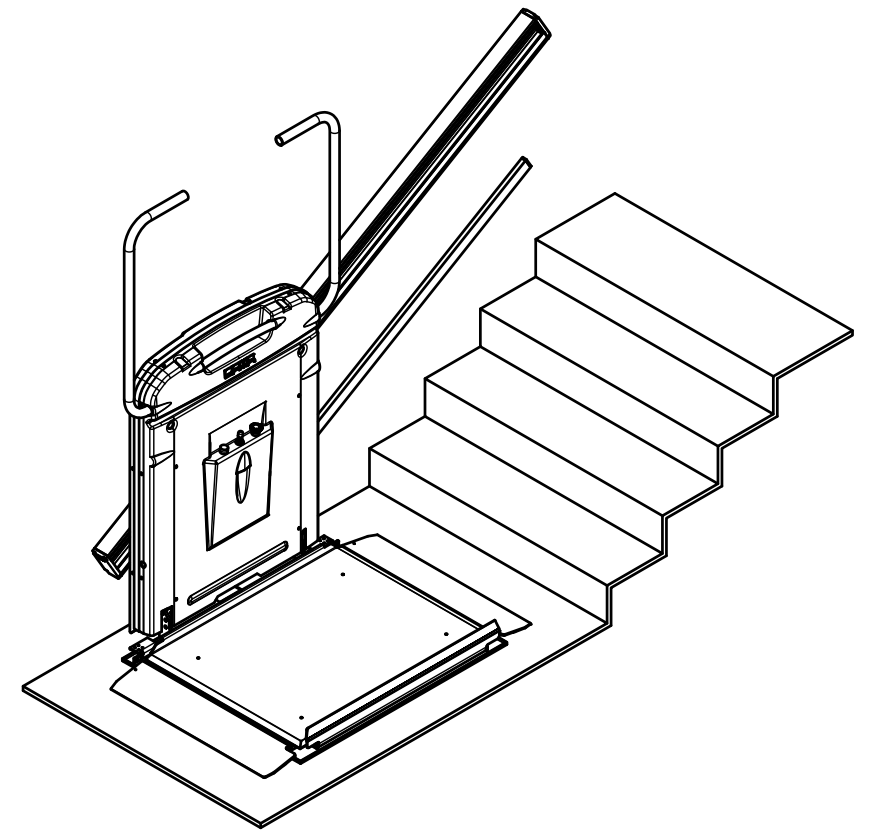
C: Headroom space required

A: Angle	950x800	1000x800	1200x800	1300x800
10	1530	1540	1550	1560
15	1580	1590	1610	1620
20	1620	1640	1670	1690
25	1670	1690	1730	1760
30	1730	1750	1800	1830
35	1790	1820	1880	1910
40	1900	1930	2010	2050
45	2030	2070	2160	2210

*	950x	1000x	1200x	1300x
D	1300	1350	1550	1650
E	1020	1070	1270	1370
*	x900	x800	x750	x700
F	2030	1930	1880	1830

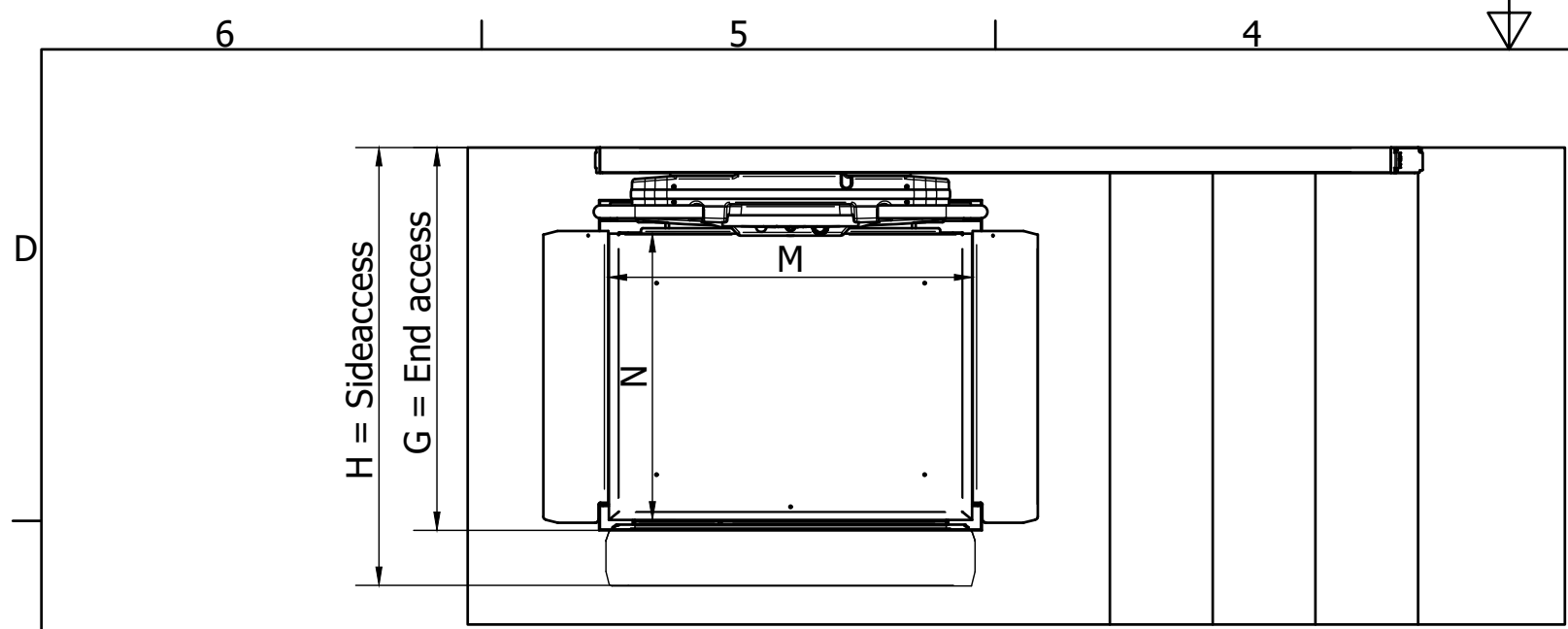
Lift Specification:

Stair Angle:	2° - 45°	Stops:	2
Load:	300Kg.	Motor:	1,1kw
Drive:	Rack and Pinion	Power:	240V 1ph 50Hz 10A
Speed:	0,14m/sec.	Colour:	RAL 7035 as standard
Travel:	subject to survey		(alternative RAL colours available)



CAMA Aps. ELLEHAMMERVEJ 6, 9900 FREDERIKSHAVN.
 Telefon. +45 98 43 01 22 - Telefax. +45 98 42 08 62 - E-mail: info@cama.dk - Internet: http://www.cama.dk

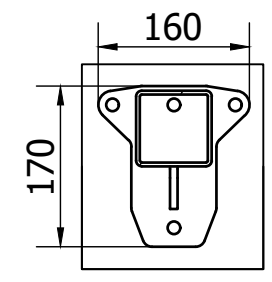
TITLE: Handi Lift EA9 - Straight platformlift (EA9 & EA9B)	DRAWN BY: ABV
DRAWING NO.: HL9-001-A	SCALE: 1:20 (A3)
SHEET: 1/2	DATE: 21-02-2023



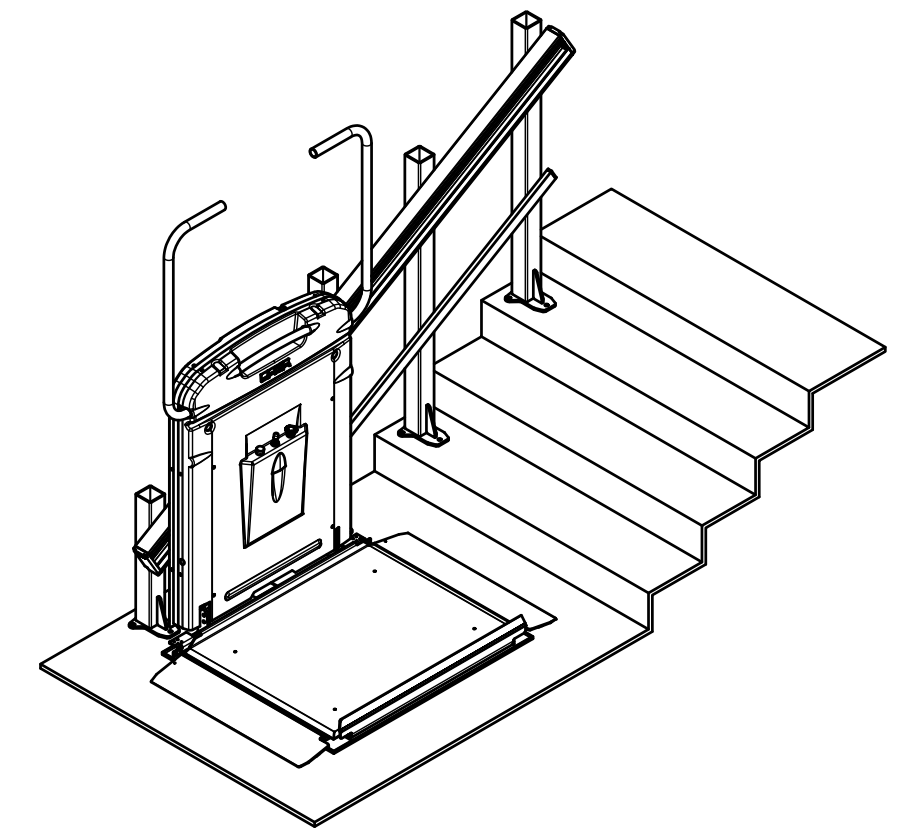
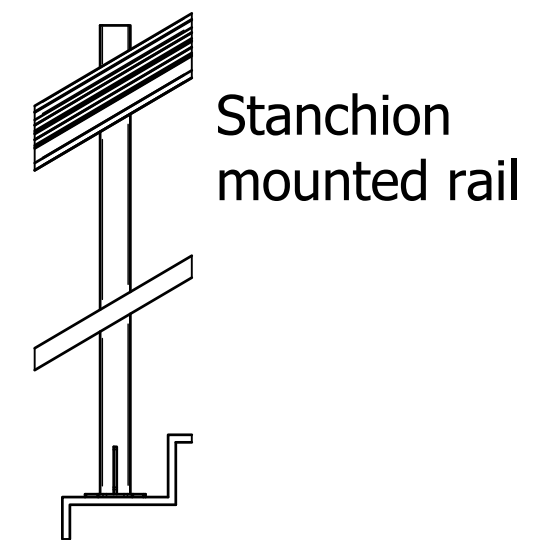
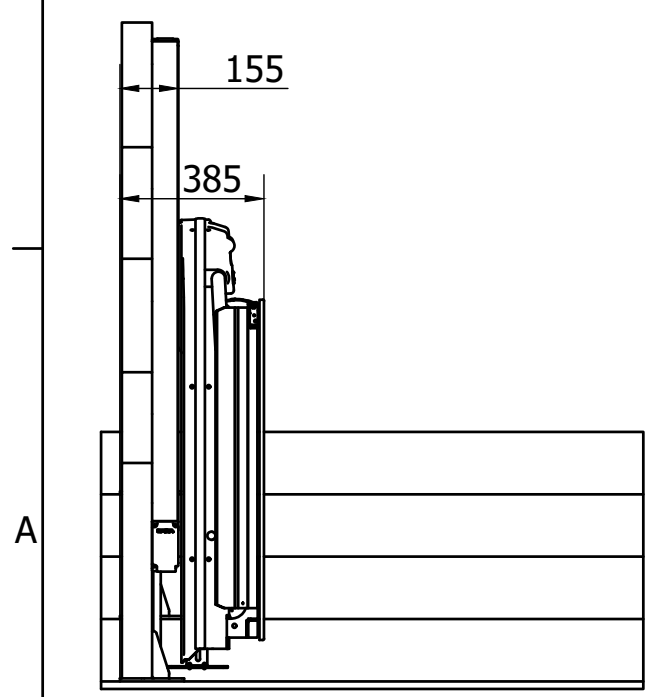
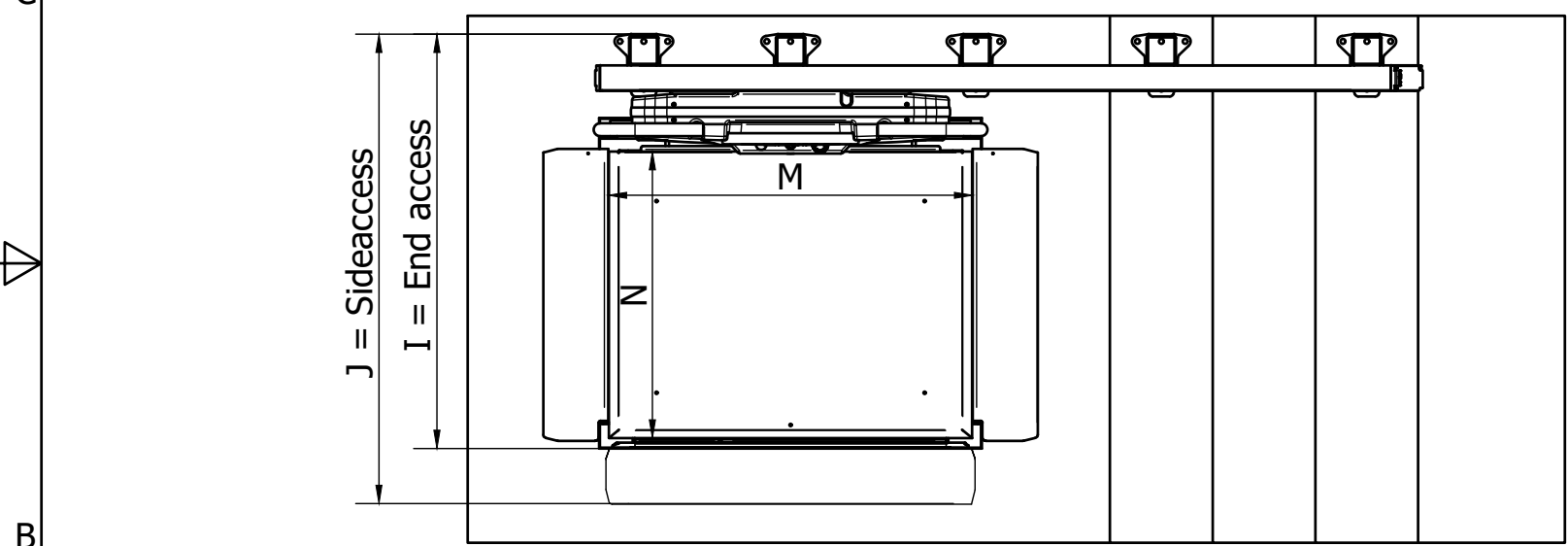
*	x900	x800	x750	x700	x650	x600
G	1150	1050	1000	950	900	850
H	1300	1200	1150	1100	1050	1000
I	1235	1135	1085	1035	985	935
J	1385	1285	1235	1185	1135	1085

M	1300	1200	1000	950		
N	900	800	750	700	650	600

Typical stanchion



Size: 80x80mm.
Thickness: 4,5mm.
Sole plate: 8mm.



CAMA Aps. ELLEHAMMERVEJ 6, 9900 FREDERIKSHAVN. Telefon. +45 98 43 01 22 - Telefax. +45 98 42 08 62 - E-mail: info@cama.dk - Internet: http://www.cama.dk		
TITLE: Handi Lift EA9 - Straight platformlift (EA9 & EA9B)		DRAWN BY: ABV
DRAWING NO.: HL9-001-A		SHEET: 2/2
		DATE: 21-02-2023